

ROBAM



Operation Manual

CXW-200-A811

Range Hood

CONTENTS

1.Important Information.....	1
2.Product Overview.....	1
3.Installation.....	2
4.Use Instruction.....	5
5.Maintenance and Services.....	6
6.Circuit Diagram.....	9
7.General Troubleshooting.....	9

Dear Users

Thank for your buying our range hood. Please accept our best regards.

Please read this operation manual carefully before installation and operation.

Important Information

New Package of Range Hood

Please settle those packages carefully in order to protect environment.

Don't allow children to play plastic film and package, it may cause asphyxia. Please avoid children near package material.

Dispose Old Range Hood

If the old range hood can't work, we suggest users to dispose them after confirming without any usage.

There are something useful material inside of old range hood, please assist us to dispose so as to protect environment.

Before use new range hood

This range hood exhaust fume outside.

Please read this manual and all information carefully before installation and operation. Please comply with our suggestion. If it's necessary, please read manual for gas hob. And please keep these manual carefully for future reference.

This manual is available for different models. So you may find different description with your own range hood.

If range hood has obvious damage, please don't electrify and contact operator.

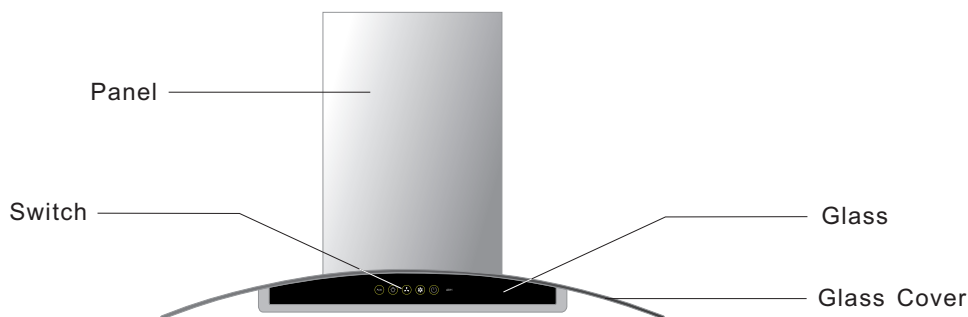
Children and disability are not allowed to use range hood independently in order to avoid accident.

Product Overview

Technical Paramater

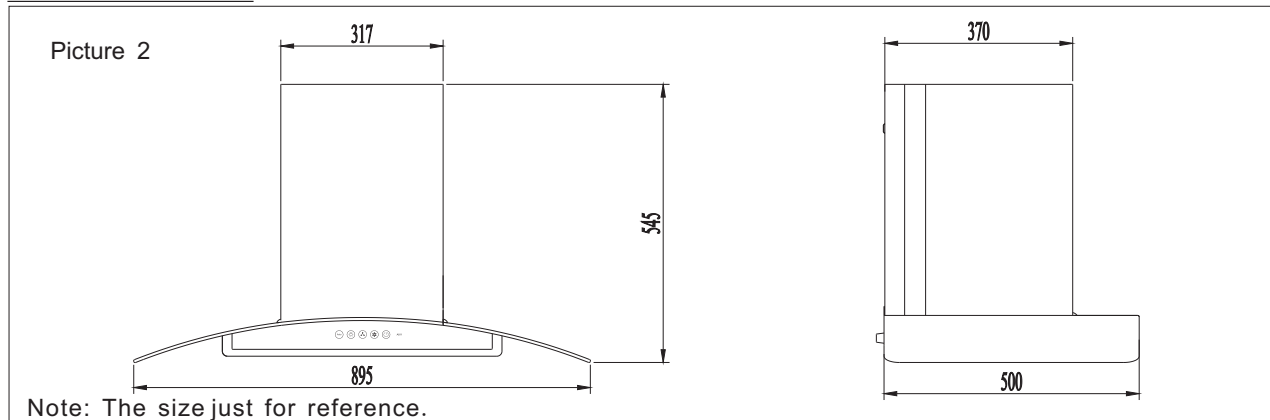
Model	CXW-200-A811	Noise	≤56.5dB
Power Supply	220-240V~ 50Hz	Rated Whole Machine Input Power	204W
Total Pressure Efficiency	≥22%	Rated Main Motor Input Power	200W
Nominal Wind Pressure	≥220Pa	Max Lighting Power	≤2W×2
Air Flow Rate	16 [±] m ³ /min	Size (L x W x H)	895×500×545(mm)
Max Static Pressure	≥310Pa	Net Weight	25kg

Picture 1



Improper operation may cause hazardous effect.

Size & Dimension



Installation


Warning

1. The range hood is prohibited from exhausting fume into hot flue , which is used for exhausting gas fuel or other fuel fume.
2. In installing metal expansion tube, ensure perfect match of tube diameter with hole diameter to prevent accidental falling off from loosened expansion tube due to excessive hole expansion.
3. Use range hood in case of gas or other fuel combustion and ensure good ventilation in the room.
4. Flue opening smaller than that of the air duct or excessively long air duct will effect the fume removal.

Preparation

● Ambient environment

Range hood shall be installed away from positions with too many windows or doors, which will lead to strong air convection and thus reduce the effect of fume removal.

 Note: This product must be used in the daily life. Don't use it under special situation (for example: outside), Meanwhile , don't use this product to exhaust dangerous explosive material or gas . This product must be placed under safe circumstance before installation. (dry, good ventilation, non-corrosive and innoxious , etc)

● **Tools:** Installing range hood requires the following tools: 1. impact electric drill (with drill bit) ; 2. Wrench ; 3. Screwdriver; 4. Ruler

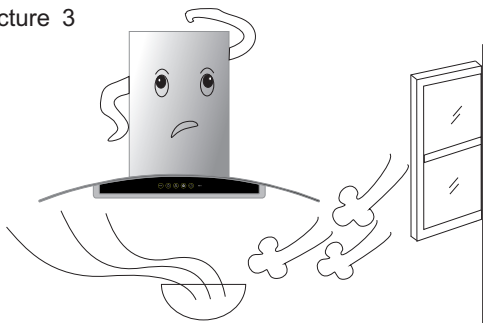
● Packing List

	S/C	Name	Quantity	S/C	Name	Quantity
Packing List	1	Range Hood	1unit	9	Oil cup	1unit
	2	Plastic expansion tube	4unit	10	ST 4x18tapping screw	10unit
	3	Operation Manual	1unit	11	ST 4x60wooden screw	4unit
	4	Check Valve	1copy	12	Bracket	1pair
	5	Φ175 aluminum foil' s air duct	1pair	13	M6 metal expansion tube	1pair
	6	Φ175 air duct' s interface		14	Stop block for bracket	1unit
	7	Adhesive tape				
	8	Fixed bar of air duct				

Note:Pls install the oil cup as operation manual of the picture 20.

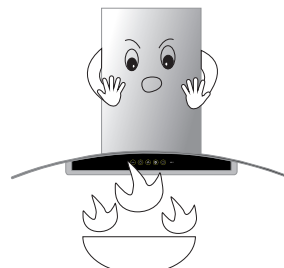
Installation Precautions

Picture 3



- Don't install the range hood too high and keep it free from external airflow to prevent reduced the effect of fume removal

Picture 4



- ⚠ Warning:** The height from hood bottom to the cooktop should be not less than 650mm. (see installation in details). Don't allow to contact fire with range hood directly. Forbid gas stove from getting fire to prevent damage of range hood or happening of accident.

Picture 5



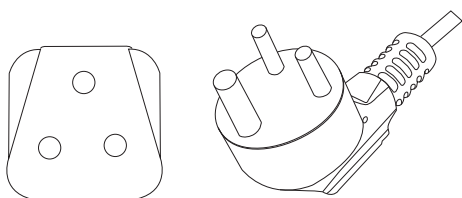
- Please reserve sufficient space when making cabinet in order to maintain and repair hood.

Picture 6



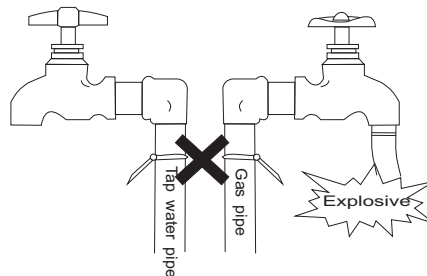
- Keep hood horizontal when installing

Picture 7



- Use fittable plug and earthed. (The picture for reference only, please subject to actual plug)

Picture 8



- Tap water pipe
- It's dangerous of fire and explosion to earth gas pipe. if improperly earthed

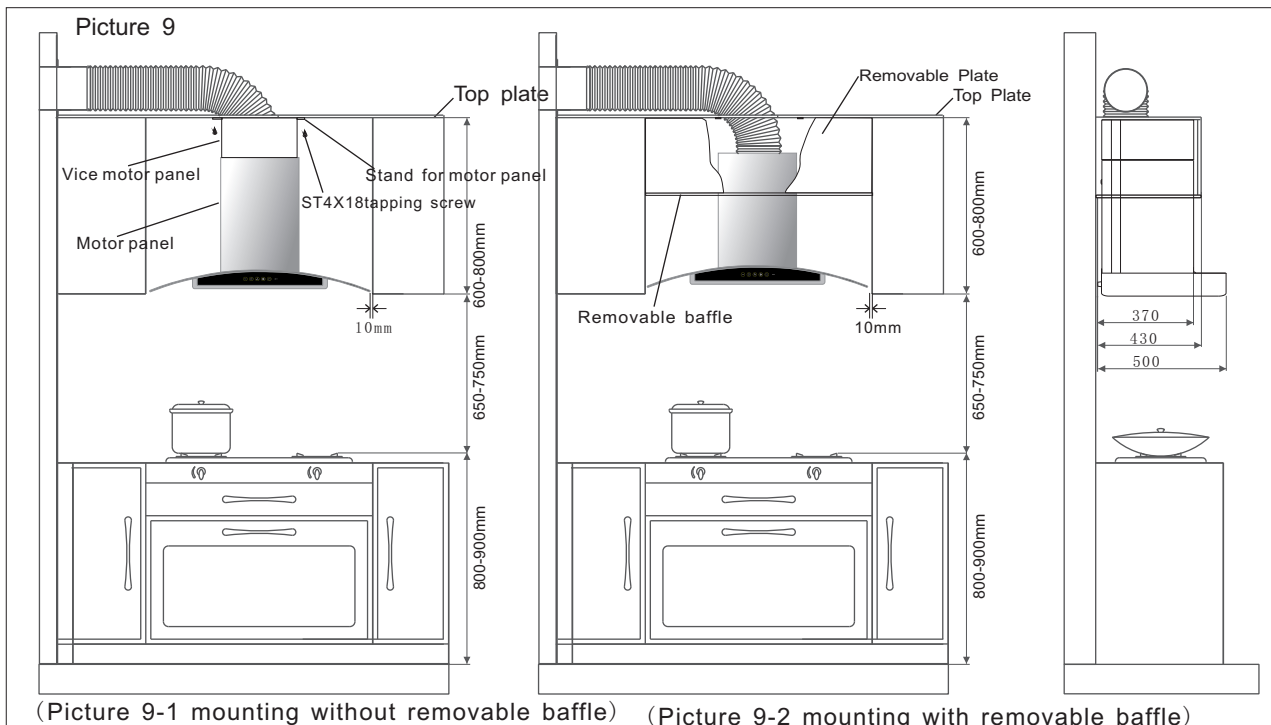
Please pay much attention to following:

- If your kitchen is under installation, please don't divulge range hood outside, because the smell from building material, dust, painting, coating material may cause rust. We suggest users to install range hood after decoration.
- Don't allow to install range hood on the wall which is easy to fire, for instance, wooden wall. Please install range hood on the wall where has enough space and strength for noncombustible material.
- Range hood and electricity must be installed by specific operation. Don't allow to install, disassembly and maintenance range hood by non-professionable person.
- Please ware glove when moving, installing, cleaning or repairing range hood.
- Please be care of electricity inside of wall when operator digging holes on the wall. It may causes fire.

Installation

1. **Location:** Reference dimension for mounting of removable baffle is 430 (mm), but subject to adjustment according to actual situations. The installation hole (picture 10) shall be centered vertically with the hood body and kept horizontally.

▲ Operator shall install range hood upright the gas hob with recommended lowest height between hood bottom and cooktop is 650mm (if maximum installation distance is specified in the instruction of installation, this shall be taken into consideration; The installation height can be reduced according to actual situations when there is electric hob).



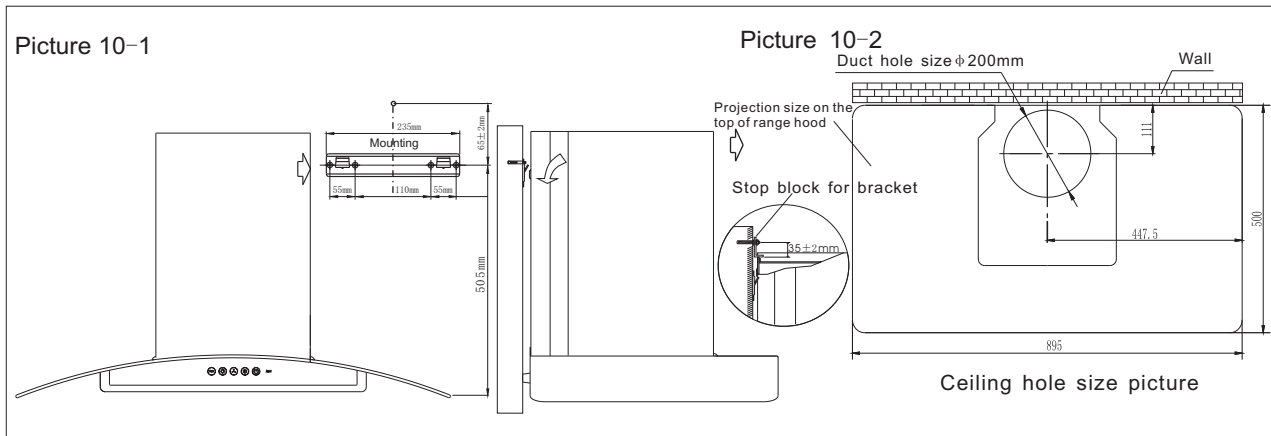
(Picture 9-1 mounting without removable baffle) (Picture 9-2 mounting with removable baffle)

2. **Installing hanging plate:** drill four 60-70mm-deep holes by $\Phi 8$ mm drill bit at positions corresponding to the hanging plate dimension. Force the expansion tube into the holes and fasten firmly the hanging plate by the supplied four 4x60 wooden screws. Drill a 50-55mm-deep $\Phi 10$ mm hole at position 65mm high from the four holes and force the M6 metal expansion tube into the hole. (picture 10-1)

3. **Adjusting the vice motor panel:** hold the holder of the vice motor panel, and pulling it into the proper height, then pulling the vice motor panel with two hands by both side of the panels. Pull it upward to adequate height and tear off its protective film.

4. **Installing hood body:** As shown in Picture 11, align the hanging holes at back of the hood body to the hooks on the hanging plate and slide the body in by pressing and shake by hands the body to see if it is firmly hang (shown as 10-1). When the body is ready in place, install safety stop block and gasket on the M6 metal expansion tube and fasten firmly the nuts to prevent the hood body from running out of the hooks under external force.

5. **Adjusting and installing vice motor panel:** as shown in Picture 9-1, about 3 centimeter gaps is left between the vice motor panel and the ceiling, push the vice motor panel against the ceiling till it contacts, then fasten the vice motor panel on the ceiling by ST 4x18 screws.



6. Install aluminum foil's air duct:

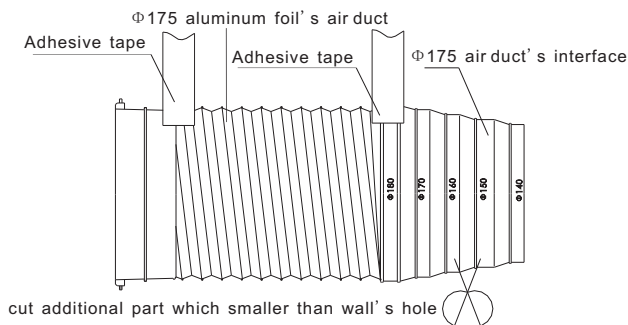
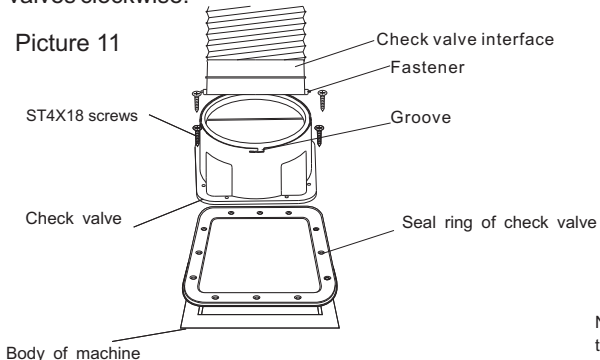
1) Drill hole position for aluminum foil (for public flue, don't need to drill holes)

- a. Aluminum foil and cooktop faces to window: disassemble one side glass, and install one plywood with holes, or open holes on the glass directly.
- b. Cooktop keeps far away from the window: Select the window nearest to the outside with good ventilated to install aluminum foil across the window; Or drill hole on the wall nearest cooktop and install aluminum foil across the wall.
- c. Drill holes on the wall: measure aluminum foil's position on the wall, draw the hole's scope on the wall (circles slightly larger than the diameter of aluminum foils), then drill holes through the wall. Don't destroy the outside wall, so when drill holes, please take care of wall's structure and materials.

2) Connect aluminum foil's air duct

Firstly, fasten one side of aluminum foil's air duct without fixed bar on the interface by adhesive tape, then straighten air duct with the interface of public flue and connect it. (Without public flue, please straighten air duct outside of room. When the interface of public flue or the size of wall's hole is bigger than aluminum foil's air duct, it can be connected directly; When it's smaller, there are four specification for the interface of air duct, such as 140mm, 150mm, 160mm and 170mm. The users can cut additional parts based on actual situations.

Then, fasten one side of aluminum foil's air duct with fixed bar in the external ring of check valve by adhesive tape. Finally, put 4 fasteners on the interface of check valve into corresponding groove, and fasten air duct on the check valves clockwise.



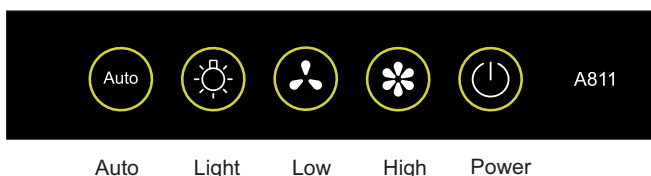
Notice: Please straighten the aluminum foil's air duct when installing this product to avoid noise under incompletely straight condition. The additional air duct can be cut by wire-cutter.

The hole diameter on the wall shall be near to that of air duct and shall not be too small. Otherwise, it will lead obstructed exhaust, higher noise and lower air flow rate. The interface between air duct and check valve or public flue must be sealed completely and connected firmly. The sheet on the interface of check valve or public flue's interface must move smoothly.

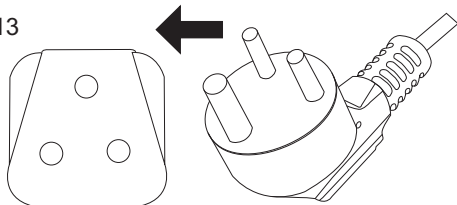
Use Instruction

Control Panel

Picture12



Picture 13



- When plug is connected well, buzzer sounds three times and hood enters into waiting condition.

Picture 14



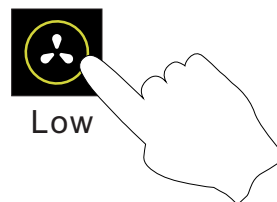
- Lightly touch "Light" key by finger, its lamp turns on and press "Light" key again, its lamp goes out. (Lighting lamp turns off)

Picture 15



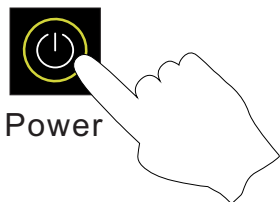
- Press the power button, the light of "power" button turn on, press "high Speed" button, the motor works with high speed. if press the "low speed" button, it will work in the low speed states.

Picture 16



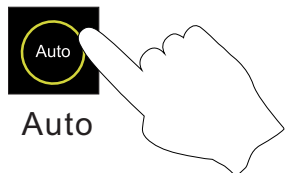
- After connect with power, press "power" button, the light of "power" turn on, press "low speed", the motor works with low speed, press "high speed" button again, it will switch into high speed level.

Picture 17



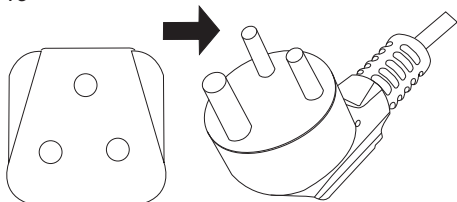
- After ensuring power is on, lightly touch "Light" key by finger, its lamp turns on and press "Light" key again, its lamp goes out (Lighting lamp turns off); if the motor is running, touch "power" button, the "power" button will be shining, going into delaying state and range hood shall be turn off all functions after 1 mins. (in the delaying states, the button of "high speed" and "low speed" are not functional). If the "power" button is shining, press the "power" button again to switch off all functions.

Picture 18



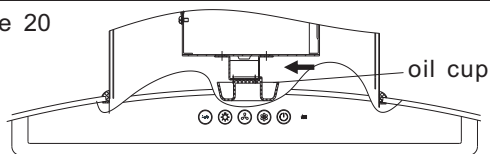
- When the power light is on, please press the key of Auto, the smoke sensor and heat sensor function are open, if the smoke density or the temperature exceed the default, the range hood will start to work in high speed level, and the button of "high speed" light is on. Press "power" button to cancel this function.

Picture 19



- Pull out power plug in case not being used for.

Picture 20



- Please take off the flat filter according to Picture 25 shown. Please put the oil cup in the range hood along the direction of arrow. If the oil over than 2/3 of the oil collector, take out the collector, and drop the waste oil.

Maintenance and service

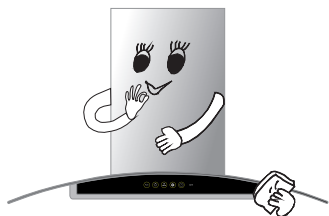
If don't clean range hood under specified methods, it may be liable of fire.

● Range hood shall be cleaned at regular intervals depending on the environmental conditions to keep clean and good effect , it' s helpful to extend service life.

● Our suggestion: To ensure smooth fume removal ,oil guide mesh should be cleaned every month . Impeller should be cleaned once every year by professionals.

Noted: Maintenance and cleaning shall be carried out when power off.

Picture 21



- Wipe with wet cloth soaked in neutral detergent.

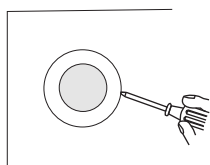
Picture 22



- For safety concern ,do not wash the range hood by water spray.

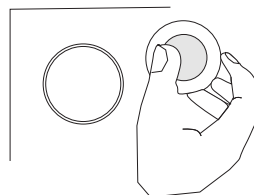
Dismounting of lampshade

Picture 23



- Remove the lampshade by screwdriver .

Picture 24

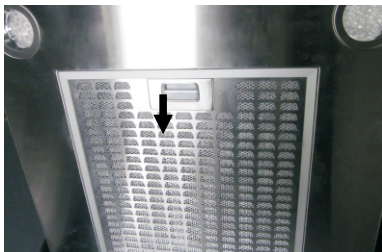


- Pull out the lampshade with connector, and change to a new one.

Remarks: Put the lampshade to smoking collection cover by hand when install the lampshade.

Dismounting of oil filter

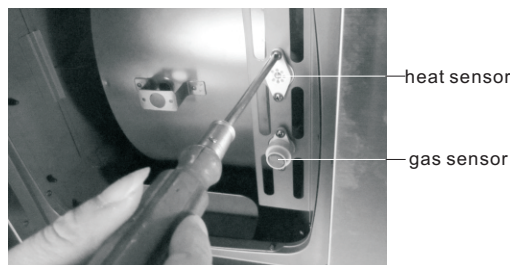
Picture 25



- Put finger to the lock of oil filter ,move it ,then take out of filter.

Dismounting of heat sensor and gas sensor

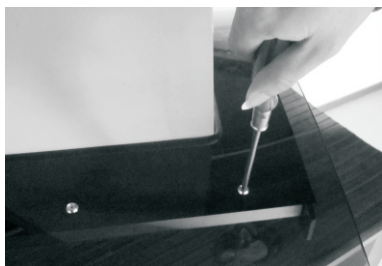
Picture 26



- Remove the two screws of gas sensor and heat sensor by screwdriver ,then maintenance or change it.

Dismounting the switch

Picture 27



- Remove 6 screws on the glass cover by screwdriver, then pull down the glass cover.

Picture 28



- Remove the screws of components by screwdriver, then maintenance or change it.

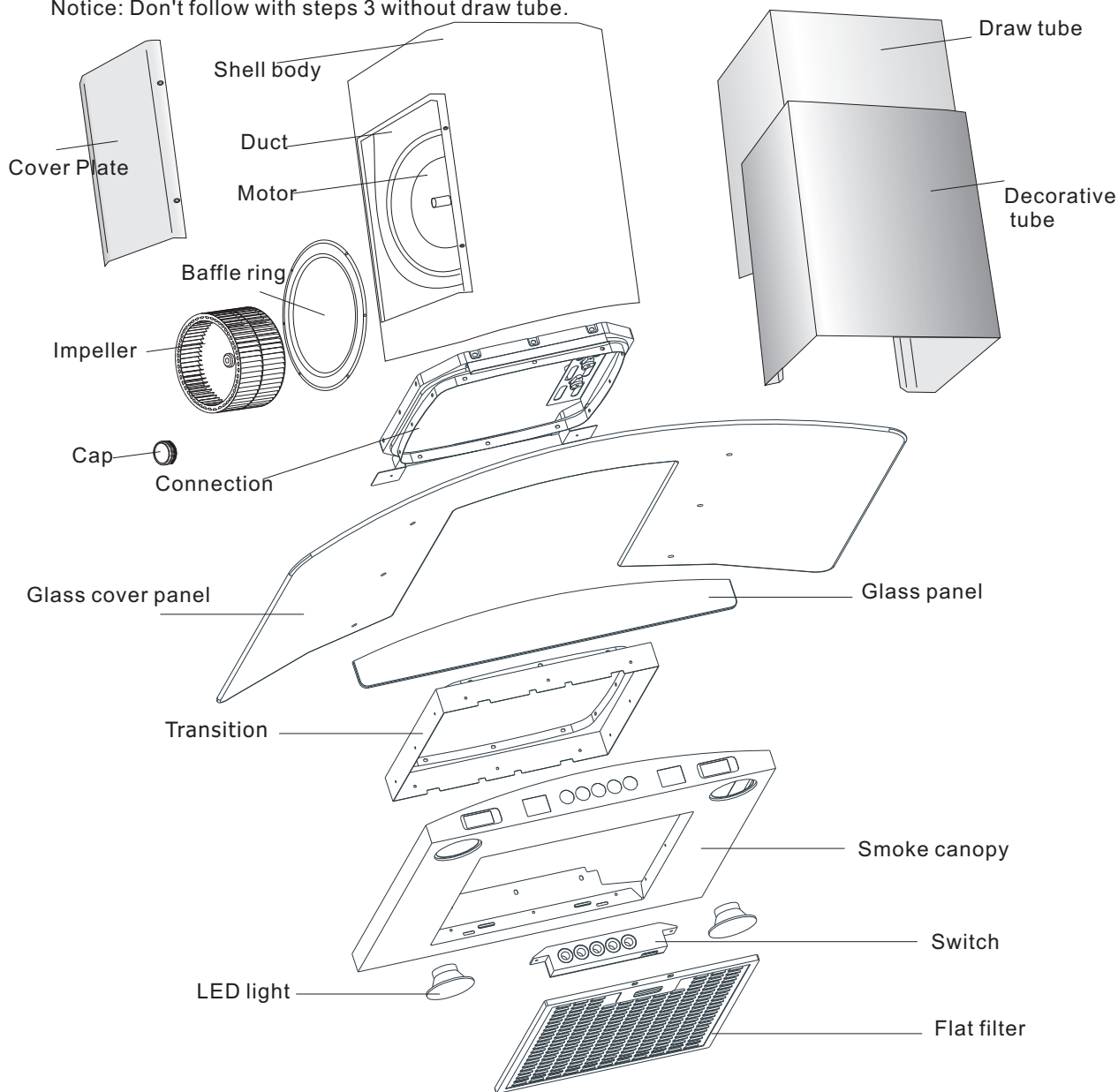
Dismounting steps

Picture 29

1. Pull out power plug ;
2. Screw off 4 screws behind the decorative tube and incline the decorative tube forward to certain angle and put it out by force with bands ;
3. Take out drawing tube from the decorative tube ;
4. Remove the cover plate after screwing off the fastening screws by screwdriver ;
5. Remove the baffle ring after screwing off its fastening screws ;
6. Screw off cap cover clockwise and vertically take out impeller ;
7. Remove 6 fastening screws on the surface of glass cover panel. Take out of glass cover.
8. Please take out the flat filter according to the picture 25 ; take off the oil cup according to the picture 20 .

The assembly steps are just opposite to the disassembly .In assembling impeller, apply lubricant to the axle hole of the impeller.

Notice: Don't follow with steps 3 without draw tube.

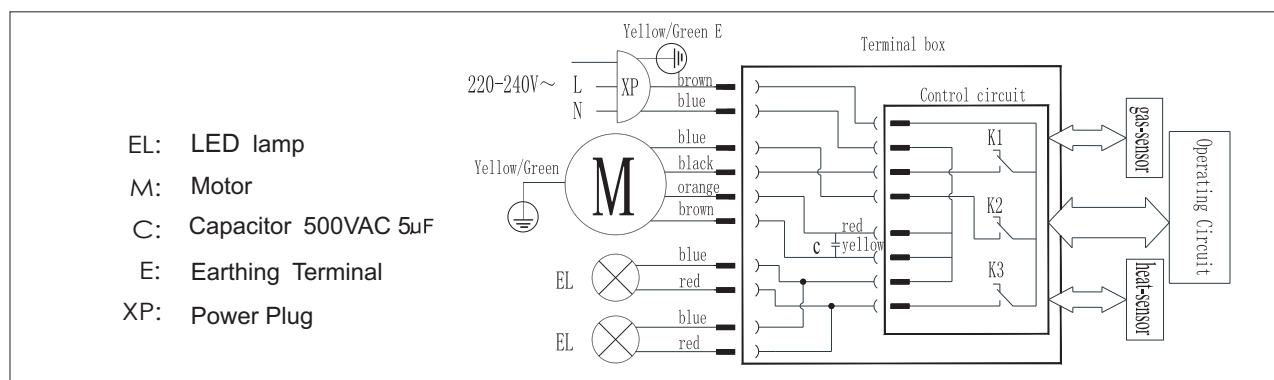


Warning


There shall be adequate ventilation of the room when the range hood is used at the same time as appliances burning gas or other fuels .

- Do not flambé under the range hood.
- Regulations concerning the discharge of air have to be fulfilled.
- This appliance is not intended for use by persons (including children) with reduced physical, sensory, or mental capacities, or lack of experience and knowledge, unless they have been given supervision or instruction concerning use of the appliance by a person responsible for their safety.
- Children should be supervised to ensure that they do not play with the appliance.
- If the supply cord is damaged, it must be replaced by the manufacturer, its service agent or similarly qualified persons in order to avoid a hazard.
- Accessible parts may become hot when used with cooking appliances
- The minimum distance between the supporting surface for the cooking vessels on the hob and the lowest part of the range hood. When the range hood is located above a gas appliance, this distance shall be at least 65 cm. If the instructions for installation for the gas hob specify a greater distance, this has to be taken into account.

Circuit Diagram



General Troubleshooting

No.	Problem	Reasons	
1	No reaction in pressing any switch (such as impeller does not run and lamp does not light)	Plugs improperly plugged or power off	<p> Warning</p> <p>1. When connecting accessory or replacing bulb, please pull out power plug; 2. If power wires of range hood damaged, replace them by professionals; 3. Don't allow to exhaust flame through range hood.</p>
2	Lamp fails in pressing lighting switch	Lamp damaged or improperly contacted	
3	Induction current on hood surface	Plug improperly earthed	
4	Abnormal impeller sound	Loose impeller, cap not properly fastened	
5	No oil in oil cup after some time	Inclined installation of hood body	

Edition: A/2

ROBAM